

6
Form K4328
(Sup. K2744)
Aug., 1931

HISTORICAL COPY
DO NOT REMOVE

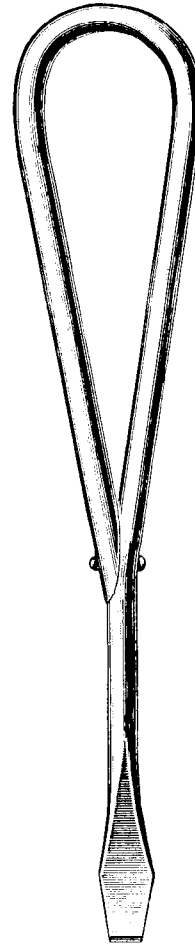
ILLUSTRATED
LIST OF PARTS
FOR
No. 91K5 Machine



THE SINGER MANUFACTURING CO.

From the library of: Diamond Needle Corp

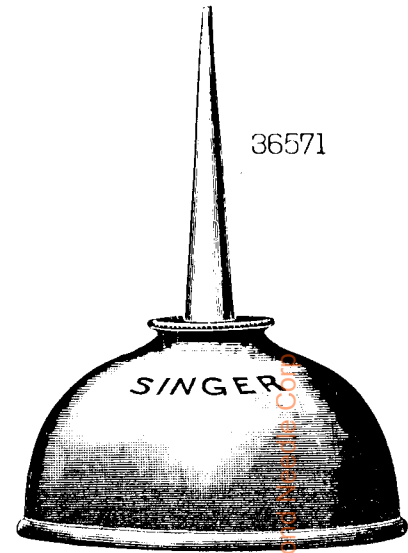
25537



86405

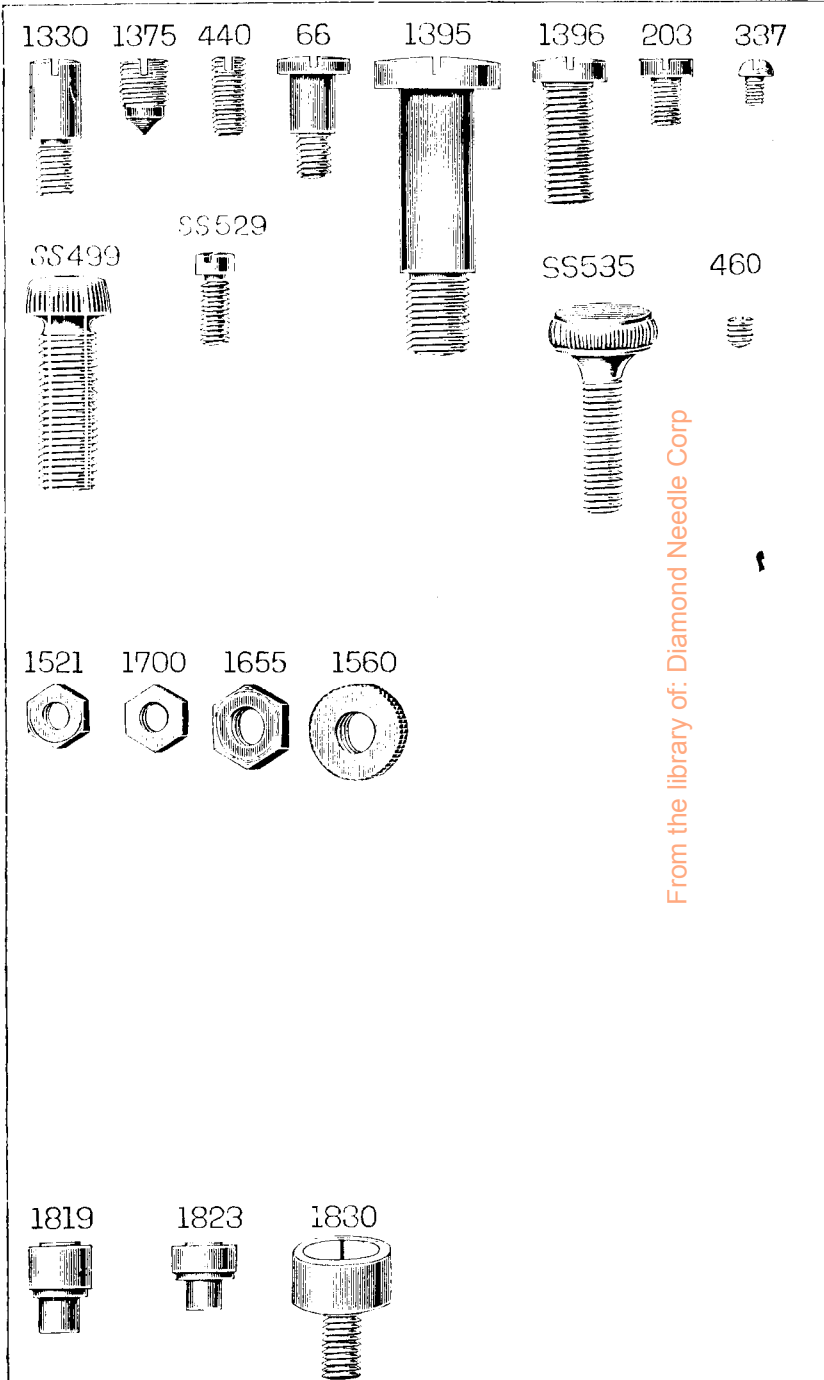
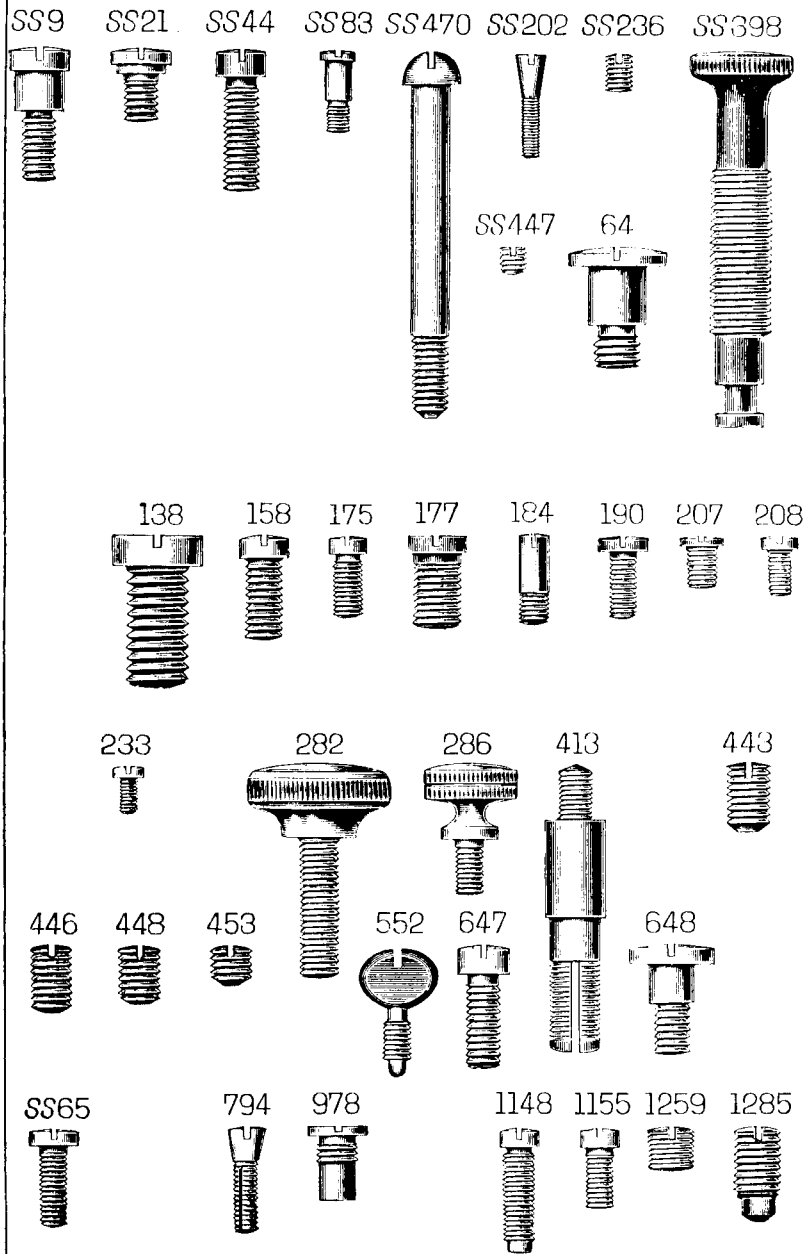


36569



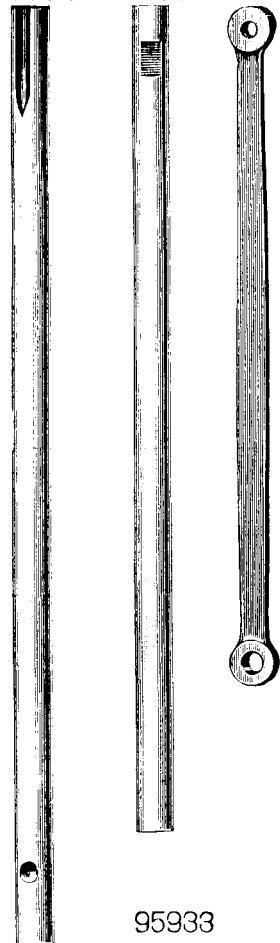
36571

From the library of: Diamantopoulos Corp.

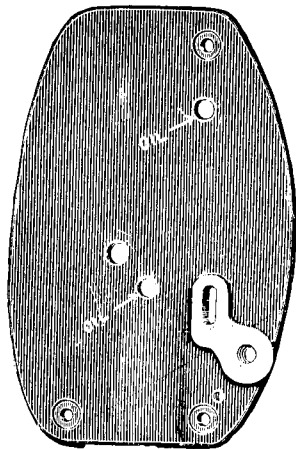


From the library of: Diamond Needle Corp

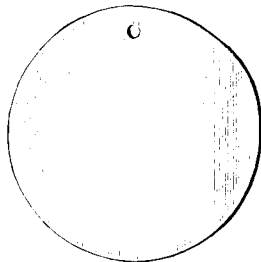
95852 95855 95935



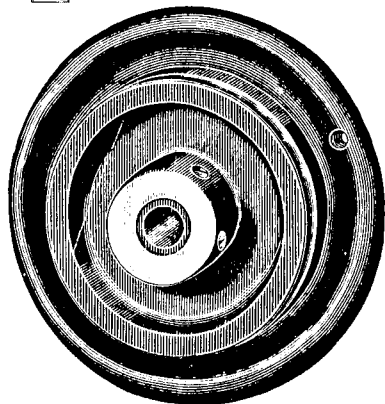
95947



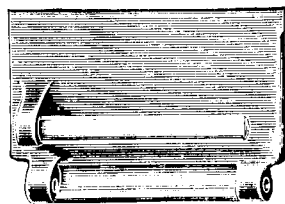
8300



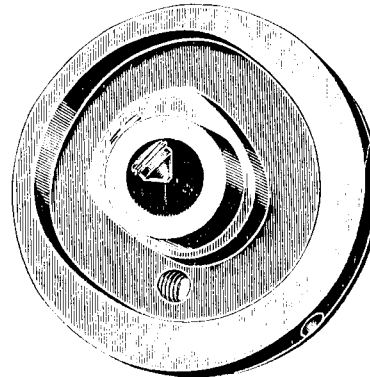
95933



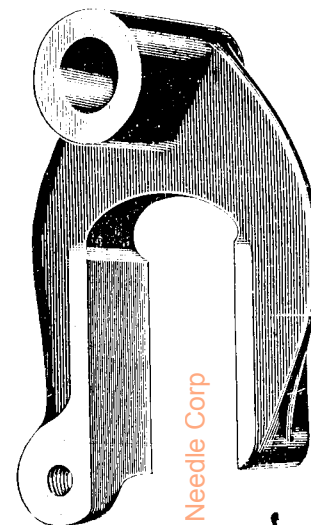
95937



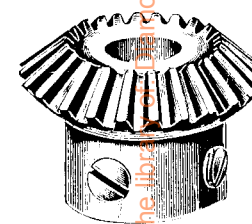
95865



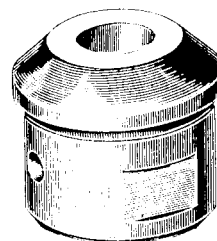
95932



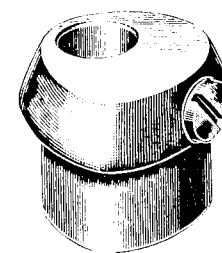
95854



95853

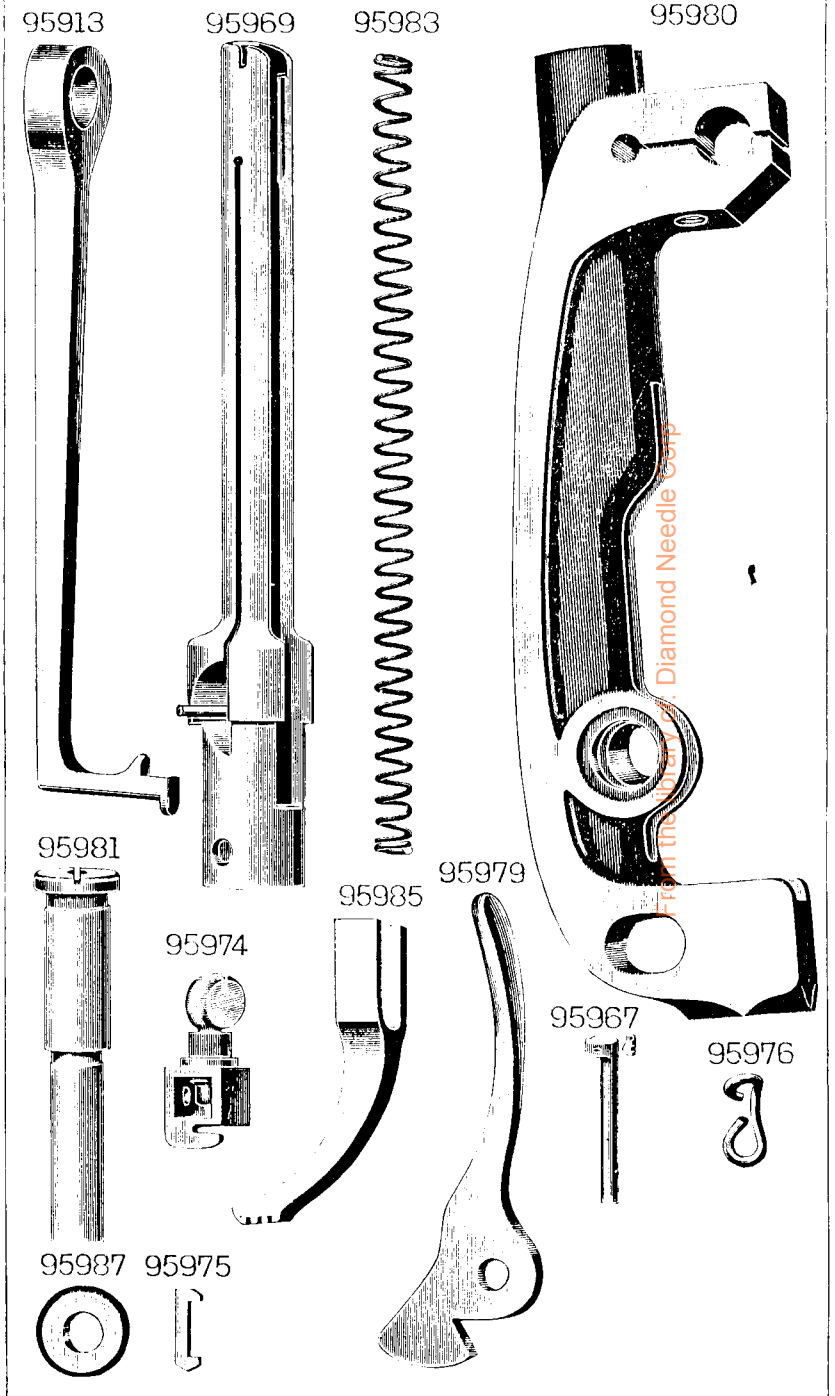
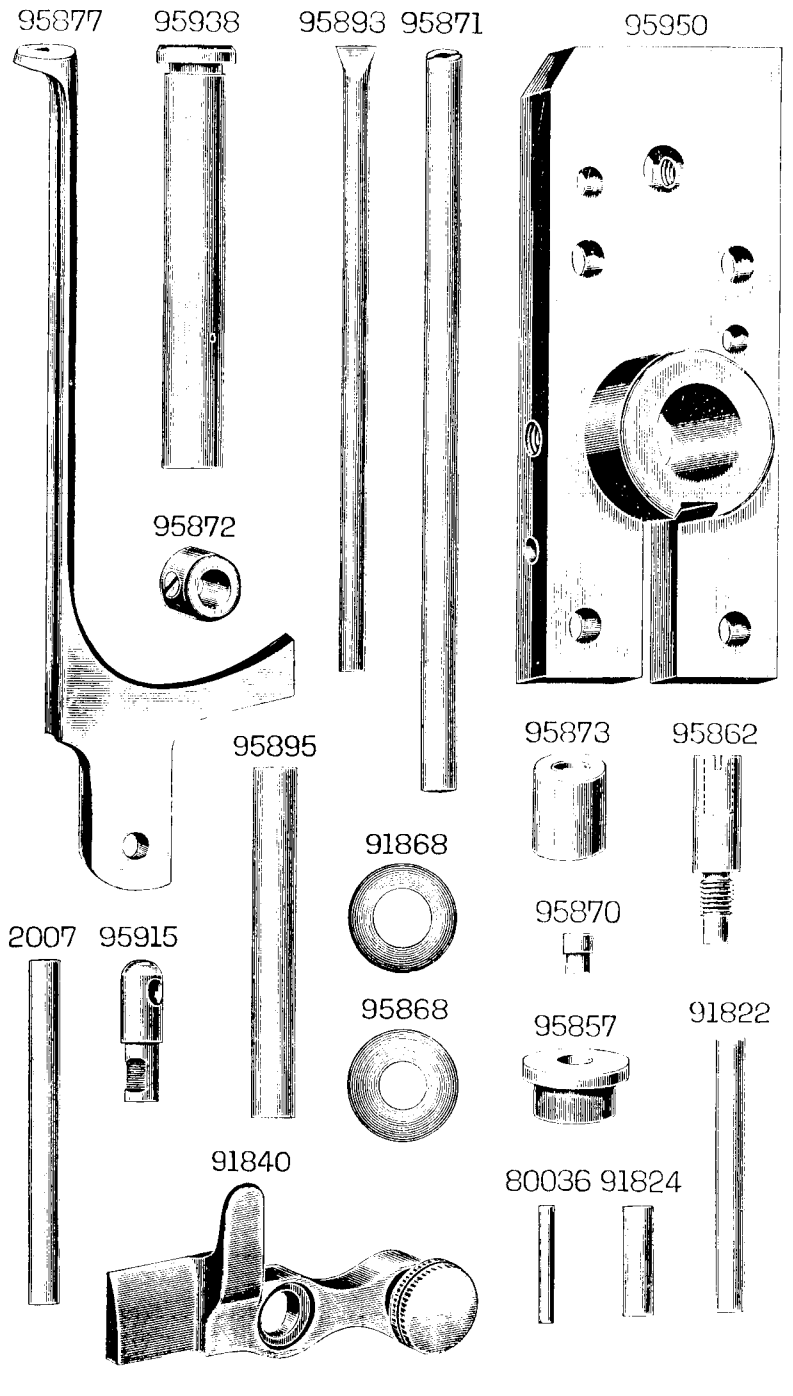


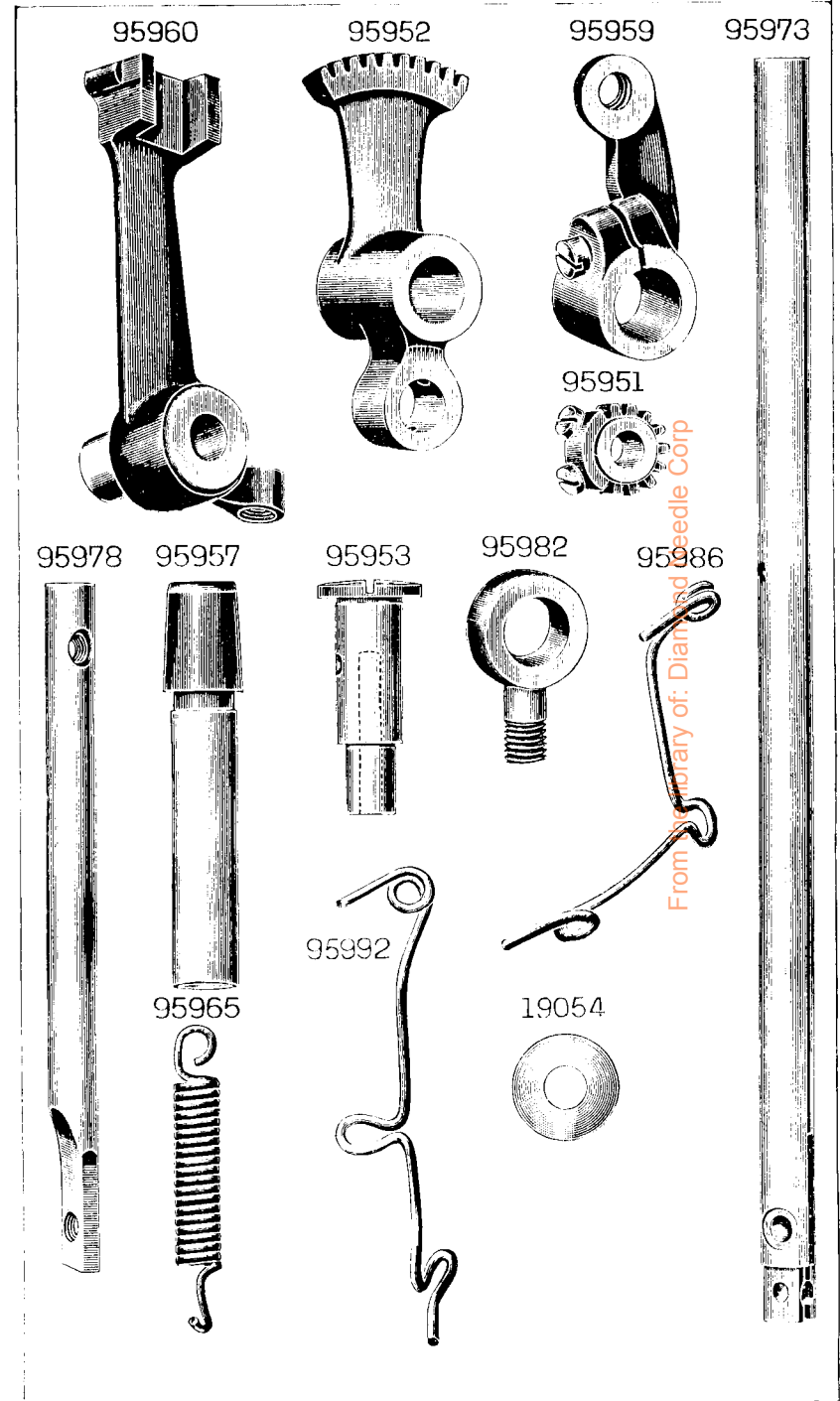
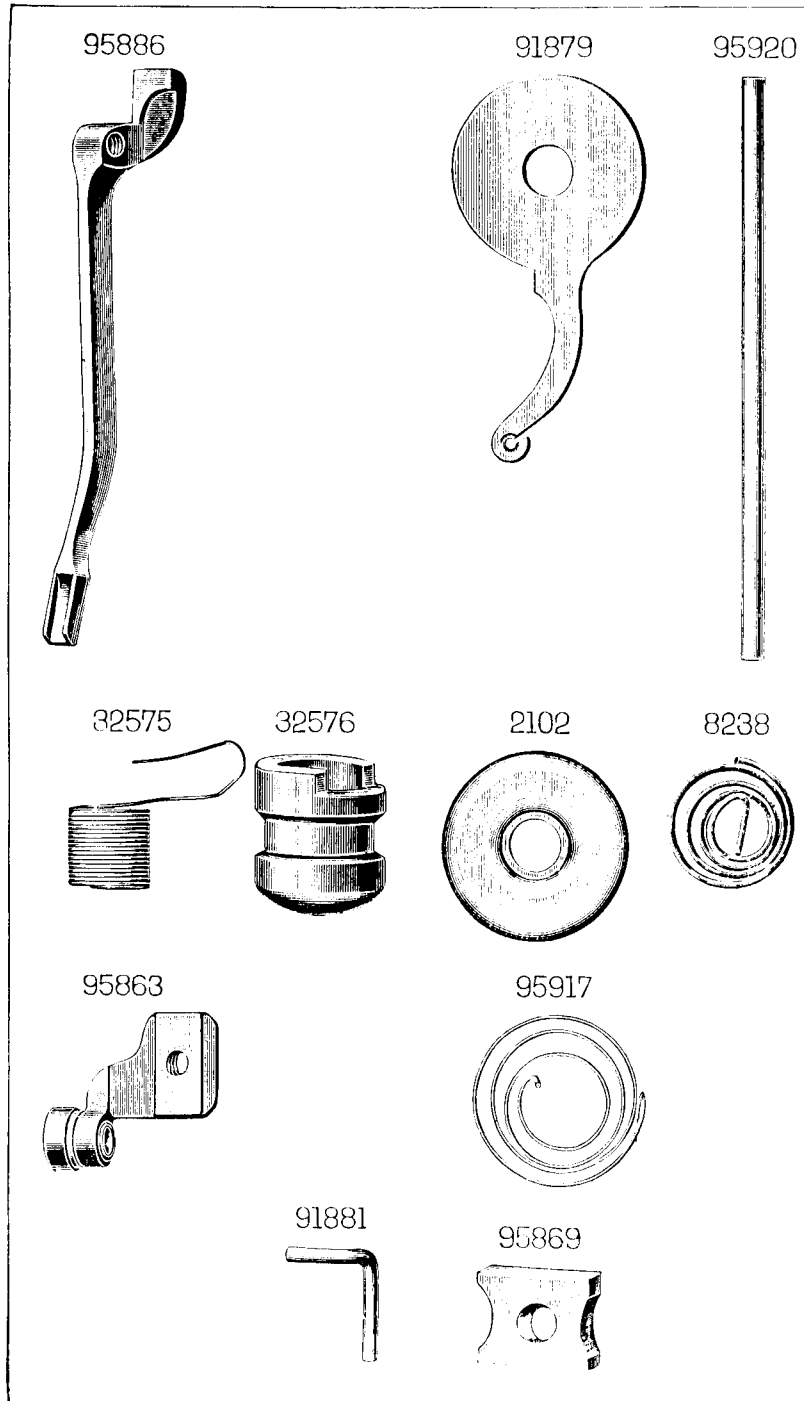
95931

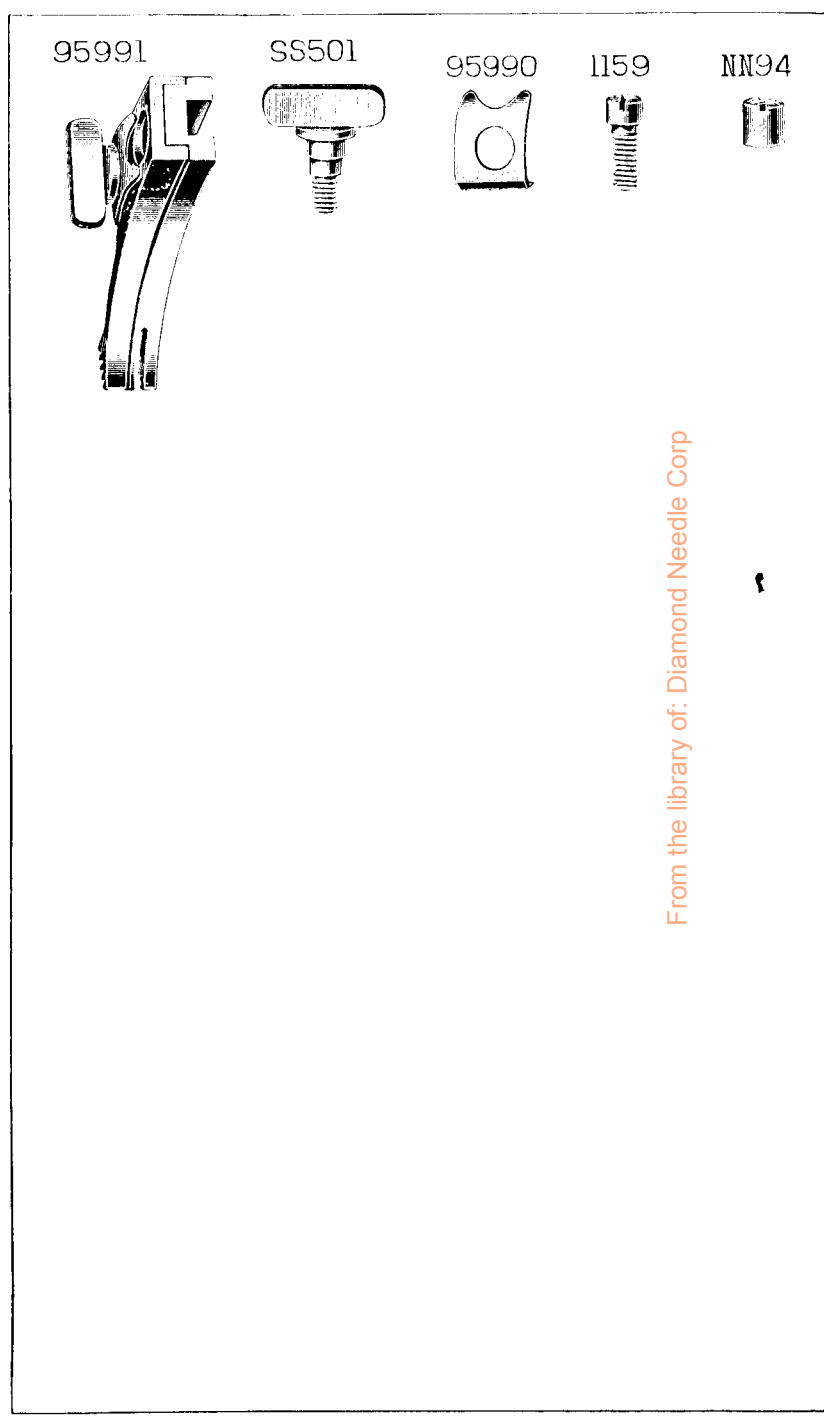
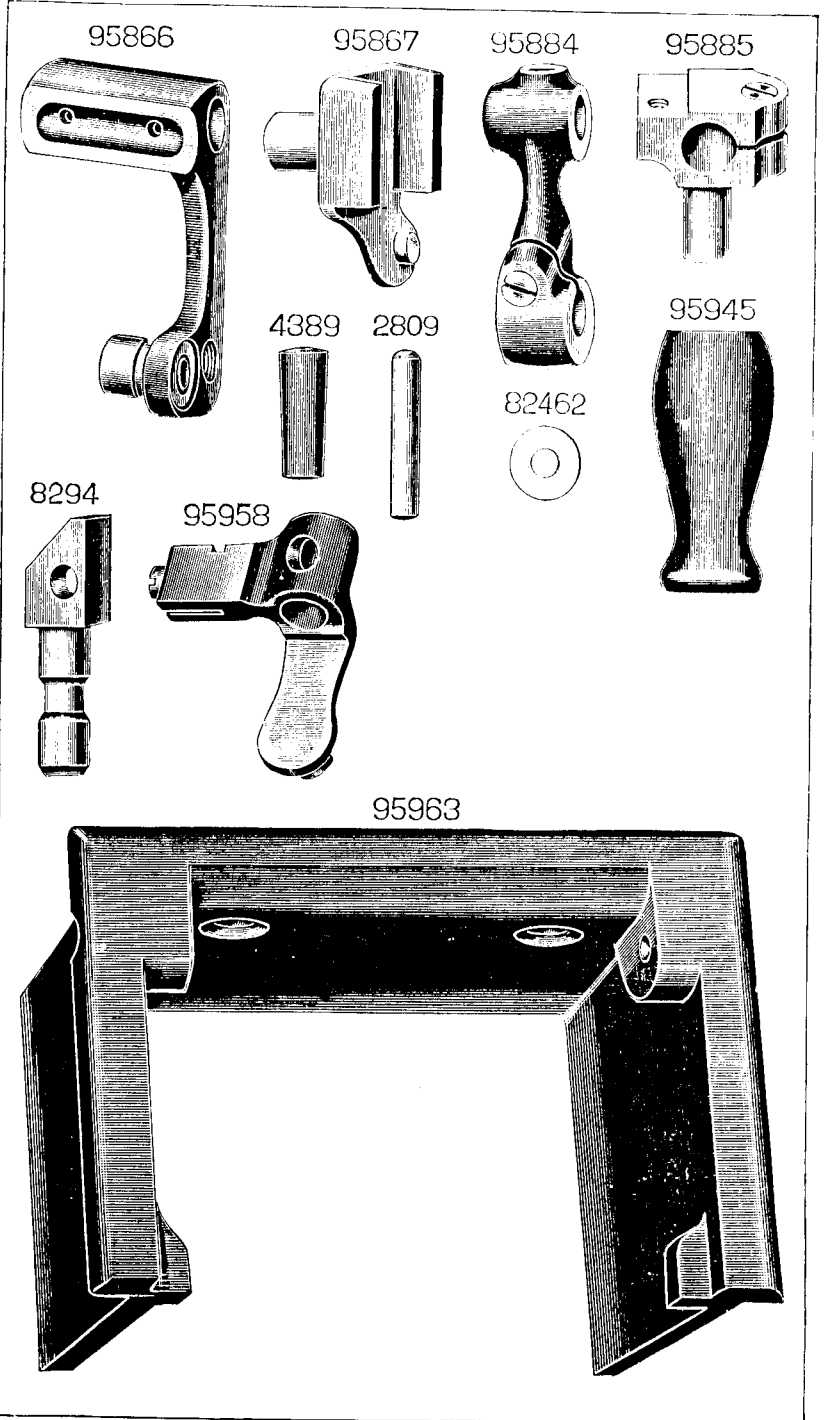


95930









From the library of: Diamond Needle Corp

ILLUSTRATED
LIST OF PARTS
FOR
No. 91K5 Machine

From the library of: Diamond Needle Corp

CONTENTS

	PAGES
Parts complete for No. 91K5 Machine	21
Accessories	26
Numerical List of Parts	27

From the library of: Diamond Needle Corp

INSTRUCTIONS FOR ORDERING

In ordering from this List, the prefix and affix letters with the part number **MUST BE** quoted exactly as they are shown in the first column.

A number always indicates the same part in whatever List it may appear, or for whatever machine.

The prefix *SS* indicates Screws made only at Singer.

" " *NN* " Nuts made only at Singer.

" " *RR* " Rollers and Studs made only at Singer.

The affix letters (where shown) indicate the style of finish, as follows:

- A.** Hardened, Polished, Nickel Plated and Buffed.
- B.** Polished, Nickel Plated and Buffed.
- C.** Hardened only.
- D.** Polished only.
- E.** Soft, not Polished.
- F.** Hardened and Polished.
- H.** Blued.
- J.** Nickel Plated only.
- K.** Hardened and Nickel Plated.
- L.** Brass Plated.
- M.** Oxidized.
- N.** Japanned, Dull.
- P.** Japanned, Bright.
- R.** Merlized.
- T.** Copper Plated.
- T.A.** Hardened, Polished, Copper and Nickel Plated and Buffed.
- T.B.** Copper and Nickel Plated and Polished.
- T.J.** Copper and Nickel Plated only.
- T.K.** Hardened, Copper and Nickel Plated.
- T.L.** Copper and Brass Plated.
- T.M.** Copper Plated and Oxidized.
- U.** Zinc Plated.
- V.** Silver Plated.
- W.** Polished and Nickel Plated.
- Y.** Black Nickel Plated only.
- Z.** Chromium Plated.
- Z.B.** Polished, Nickel Plated, Buffed and Chromium Plated.
- Z.J.** Nickel and Chromium Plated.

In this series

- 1 to 1500 and 50001 to 51500 are Screw Numbers.
- 1501 " 1800 are Nut Numbers.
- 1801 " 2000 are Roller Numbers.
- 2001 " 50000 are Numbers of Machine Parts, etc.
- 80001 " 100000 are Numbers of Machine Parts, etc., made only at Singer.
- 120001 " 190000 are Numbers of Machine Parts, etc.
- 190001 " 200000 are Numbers of Electrical Parts.
- 700001 and upwards are Numbers of Electrical Parts.

Parts marked with an asterisk () are furnished only when the repairs are made at Factory.*

PARTS COMPLETE

FOR

No. 91K5 MACHINE

Has Direct Gear Driven Loper Mechanism and Adjustable Top Feed, Closed Post, $\frac{5}{16}$ " diam., makes a Double Chain Stitch (Piqué), for Glove Work.

No.	Plate						
*95851		Arm
1389	1443	" Dowel Pin (2)
95858		" Oil Tube
138c	1356	" Screw (3)
95852	1437	Arm Shaft (horizontal)
95853	1438	" " (") Bush (front)
443c	1356	" " (") " (") Set Screw
95930	1438	" " (") " (rear)
448c	1356	" " (") " (") Set Screw
95854	1438	" " (") Gear with two 1259c
1259c	1356	" " (") " Set Screw
95855	1437	" " (upright)
95931	1438	" " (") Cam with 177c
95932	1438	" " (") " Fork
1395f	1357	" " (") " " Hinge Screw
177c	1356	" " (") " Set Screw
95854	1438	" " (") Gear with two 1259c
1259c	1356	" " (") " Set Screw
8300	1437	Arm Side Cover
286d	1356	" " " Thumb Screw
2007	1439	" Spool Pin
95857	1439	" " " Bushing
95859		Balance Wheel (2" diam.) with 446c and 1285c
95933	1437	" " (2 $\frac{1}{2}$ " ") " 446c " 1285c
95934		" " (3 $\frac{1}{2}$ " ") " 446c " 1285c
<i>NOTE. Balance Wheel No. 95933 is supplied with this Machine unless otherwise specified on order.</i>							
95945	1443	Balance Wheel Handle (Wood)
SS170d	1356	" " " Screw Spindle
1285c	1356	" " " Position Screw
446c	1356	" " " Set Screw...
*95966		Bed

From the library of: Diamond Needle Corp

No.	Plate						
95947	1437	Face Plate
190d	1356	" "	Screw (3)
95862	1439	" "	" Stud
95863	1441	" "	Thread Nipper Bracket with 1823
SS65f	1356	" "	" " " Screw
82462	1443	" "	" " " " Washer
1823	1357	" "	" " Roller
95865	1438	Feed Cam with 1375c
1375c	1357	" "	Set Screw
95866	1443	Feed Lever with 1819
1819	1357	" "	Roller
95948	-	Feed Lifting Mechanism , complete, Nos. 440f, 1521e, 1700e, 1830, 95895, 95959 and 95960
95867	1443	Feed Regulator with 95870
95869	1441	" "	Slide Block
978c	1356	" "	" " Hinge Screw
19054	1442	" "	Spring Washer
647d	1356	" "	" " Screw
95870	1439	" "	Stud
SS398c	1356	" "	Regulating Thumb Screw
184c	1356	" "	Stop Screw
95967	1440	Looper
95968	-	" 95967 with 95871
95969	1440	Looper Column with 80036
95877	1439	" "	Hinged Needle Plate
91822	1439	" "	" " " Hinge Pin
80036	1439	" "	Thread Guide Pin...
95970	-	Looper Column , complete, Nos. 1148c, 91822, 95872, 95873, 95877, 95950, 95951, 95968 and 95969
95950	1439	Looper Frame
SS44c	1356	" "	Binding Screw (long) (2)
158c	1356	" "	" " (short) (2)
91824	1439	" "	Pin (2)
95935	1437	Looper Pitman
648c	1356	" "	Hinge Screw (for 95932)
66c	1357	" "	" " (" 95952)

No.	Plate						
95871	1439	Looper Spindle
95873	1439	" "	Bush
1148c	1356	" "	" Set Screw
95872	1439	" "	Collar with SS447c
SS447c	1356	" "	" Set Screw
95951	1442	" "	Pinion with two 233c
95952	1442	" "	" Segment Gear
95953	1442	" "	" " " Stud
1148c	1356	" "	" " " Set Screw
233c	1356	" "	" Set Screw
*95919	-	Looper Thread Spool Holder Plate
95920	1441	" "	" " " Hinge Pin
*95936	-	" "	" Pin
95937	1437	Looper Thread Spool Holder , complete, Nos. 95919 and 95936
95963	1443	Looper Thread Spool Holder Frame , for machine without Base
95961	-	Looper Thread Spool Holder and Frame , complete, Nos. 95920, 95937, 95963 and two Wood Screws & No. 7
<i>NOTE: No. 95961 is supplied when Machine is ordered less Base No. 95972, and is charged extra.</i>							
95971	-	Machine Base
8294	1443	" "	Hinge Connection
2809	1443	" "	" " Hinge Pin...
453c	1356	" "	" " Set Screw
SS535d	1357	" "	Thumb Screw
95972	-	Machine Base , complete, Nos. SS535d, 95937, 95971, two each 453c, 2809 and 8294
95973	1442	Needle Bar
95884	1443	" "	Connecting Link with 794c
794c	1356	" "	" " Adjusting Screw
1330c	1357	" "	" " Hinge Screw
95885	1443	" "	" Stud with 175c
175c	1356	" "	" Clamping Screw
95886	1441	" "	Thread Nipper
SS83c	1356	" "	" " Hinge Screw
95965	1442	" "	" Spring
208c	1356	" "	" " Binding Screw
95977	-	Needle Bar and Clamp , complete, Nos. 337d and 95973 to 95976
95974	1440	" "	Clamp with 552r
95975	1440	" "	Gib
95976	1440	" "	Thread Guide
337d	1357	" "	" " Screw
552r	1356	" "	Thumb Screw

No.	Plate						
91840	1439	Needle Plate Latch with 286d
SS9d	1356	" " " Hinge Screw
286d	1356	" " " Thumb Screw
95978	1442	Presser Bar
95957	1442	" " Bushing
95958	1443	" " Guide Bracket with SS202c
SS202c	1356	" " " " Adjusting Screw
SS529c	1357	" " " " Set Screw
95979	1440	Presser Bar Lifter
184c	1356	" " " Hinge Screw
95959	1442	" " Lifting Cam Lever with 175c
440f	1357	" " " " " Adjusting Screw
1700c	1357	" " " " " " Lock Nut
175c	1356	" " " " " Binding Screw
1830	1357	" " " " " Roller and Stud
1521c	1357	" " " " " " " Lock Nut
95960	1442	" " " Lever
95895	1439	" " " " Hinge Pin
460c	1357	" " " " " " Set Screw (2)
95896	---	" " " " " Slide Block
95980	1440	Presser Bar Pendulum Bracket
95981	1440	" " " " " Feed Lever Stud
95982	1442	" " " " " " " Yoke
1655c	1357	" " " " " " " Nut
95987	1440	" " " " " " " Washer
95938	1439	" " " " " Hinge Stud
1396c	1357	" " " " " " " Clamping Screw
95983	1440	Presser Bar Spring
95893	1439	" " " " " Guide Wire
SS499d	1357	" " " " " Regulating Thumb Screw
95988	---	Presser Foot (angle cut teeth)
SS501f	1878	" " " Adjusting Screw
95990	1878	" " " " " Friction Spring
NN94c	1878	" " " " " Nut
1159f	1878	" " " Screw
95989	---	" " " Side
95991	1878	Presser Foot (adjustable), complete, Nos. NN94c, SS501f, 1159f and 95988 to 95990
95985	1440	Presser Foot (serrated teeth)
203f	1357	" " " Screw

NOTE: No. 95985 is sent with this machine unless otherwise specified on order.

No.	Plate						
95913	1440	Seam Guide
64d	1356	" " Hinge Screw
91868	1439	" " " " Spring Washer
184d	1356	" " " Stop Screw
NOTE: Seam Guide No. 95913 is only supplied with this machine when specified on order and at an extra charge.							
2102	1411	Tension Disc
413c	1356	" Screw Stud
8238	1411	" Spring
1560d	1357	" " Regulating Thumb Nut
95914	Tension, complete, Nos. 413c, 1560d, 8238 and two 2102						...
95915	1439	Tension Thread Guide
460c	1357	" " " Set Screw
95992	1442	Thread Guide
207d	1356	" " Screw
91879	1411	Thread Take-down
SS21d	1356	" " Hinge Screw
95917	1441	" " Spring
91881	1441	" " Stop Pin
175d	1356	" " " " Screw
32575	1441	Thread Take-up Spring
32576	1441	" " " Regulator
453c	1356	" " " " Set Screw

Accessories

No.	Plate						
		Instruction Book
46 X 1		Needles (two each sizes 7, 8 and 9)
36569	1355	Oiler
25537	1355	Screw Driver
86405	1355	Tweezers
		Wood Screws $1\frac{1}{2}'' \times \frac{1}{4}''$ (2)

Numerical List of Parts

No.	Plate			
SS9d	1356	Needle Plate Latch Hinge Screw
SS21d	1356	Thread Take-down Hinge Screw
SS44c	1356	Looper Frame Binding Screw (long)
64d	1356	Seam Guide Hinge Screw
SS65f	1356	Face Plate Thread Nipper Bracket Screw
66c	1357	Looper Pitman Hinge Screw for 95952
SS83c	1356	Needle Bar Thread Nipper Hinge Screw
VX94e	1878	Presser Foot Adjusting Screw Nut for 95991
138e	1356	Arm Screw
158c	1356	Looper Frame Binding Screw (short)
175c	1356	Needle Bar Connecting Stud Clamping Screw for 95885
175c	1356	Presser Bar Lifting Cam Lever Binding Screw for 95959
175d	1356	Thread Take-down Stop Pin Screw
177c	1356	Arm Shaft (upright) Cam Set Screw for 95934
184c	1356	Feed Regulating Stop Screw
184c	1356	Presser Bar Lifter Hinge Screw
184d	1356	Seam Guide Stop Screw
190d	1356	Face Plate Screw
SS202c	1356	Presser Bar Guide Bracket Adjusting Screw for 95958
203f	1357	Presser Foot Screw
207d	1356	Thread Guide Screw
208c	1356	Needle Bar Thread Nipper Spring Binding Screw
233c	1356	Looper Spindle Pinion Set Screw for 95954
286d	1356	Arm Side Cover Thumb Screw
286d	1356	Needle Plate Latch Thumb Screw for 91840
337d	1357	Needle Clamp Thread Guide Screw for 95977
SS398c	1356	Feed Regulating Thumb Screw
413c	1356	Tension Screw Stud for 95914
410f	1357	Presser Bar Lifting Cam Lever Adjusting Screw for 95948
443c	1356	Arm Shaft (horizontal) Bush (front) Set Screw
446c	1356	Balance Wheel Set Screw for 95859, 95933 and 95934
SS447c	1356	Looper Spindle Collar Set Screw for 95872
448c	1356	Arm Shaft (horizontal) Bush (rear) Set Screw
453c	1356	Machine Base Hinge Connection Set Screw for 95972

From the library of: Damon Needle Corp

No.	Plate	
453c	1356	Thread Take-up Spring Regulator Set Screw
460c	1357	Presser Bar Lifting Lever Hinge Pin Set Screw
460c	1357	Tension Thread Guide Set Screw
SS470d	1356	Balance Wheel Handle Screw Spindle
SS499d	1357	Presser Bar Spring Regulating Thumb Screw
SS501f	1878	Presser Foot Adjusting Screw for 95991
SS529c	1357	Presser Bar Guide Bracket Set Screw
SS535d	1357	Machine Base Thumb Screw for 95972
552r	1356	Needle Clamp Thumb Screw for 95971
647d	1356	Feed Regulator Spring Washer
648c	1356	Looper Pitman Hinge Screw for 95932
794c	1356	Needle Bar Connecting Link Adjusting Screw for 95884
978c	1356	Feed Regulator Slide Block Hinge Screw
1148c	1356	Looper Spindle Bush Set Screw for 95970
1148c	1356	Looper Spindle Pinion Segment Gear Stud Set Screw
1159f	1878	Presser Foot Screw for 95991
1259c	1356	Arm Shaft (horizontal) Gear Set Screw for 95854
1259c	1356	Arm Shaft (upright) Gear Set Screw for 95854
1285c	1356	Balance Wheel Position Screw for 95859, 95933 and 95934
1330c	1357	Needle Bar Connecting Link Hinge Screw
1375c	1357	Feed Cam Set Screw for 95865
1395f	1357	Arm Shaft (upright) Cam Fork Hinge Screw
1396c	1357	Presser Bar Pendulum Bracket Hinge Stud Clamping Screw
1521c	1357	Presser Bar Lifting Cam Lever Roller and Stud Lock Nut for 95948
1560d	1357	Tension Spring Regulating Thumb Nut for 95914
1655c	1357	Presser Bar Pendulum Bracket Feed Lever Stud Yoke Nut
1700c	1357	Presser Bar Lifting Cam Lever Adjusting Screw Lock Nut for 95948
1819	1357	Feed Lever Roller for 95866
1823	1357	Face Plate Thread Nipper Roller for 95863
1830	1357	Presser Bar Lifting Cam Lever Roller and Stud for 95948
2007	1439	Arm Spool Pin
2102	1441	Tension Disc for 95914
2809	1443	Machine Base Hinge Connection Hinge Pin for 95972
4389	1443	Arm Dowel Pin
8238	1441	Tension Spring for 95914

No.	Plate	
8294	1443	Machine Base Hinge Connection for 95972
8300	1437	Arm Side Cover
19054	1442	Feed Regulator Spring Washer
25537	1355	Screw Driver (Accessories)
32575	1441	Thread Take-up Spring
32576	1441	Thread Take-up Spring Regulator
36569	1355	Oiler (Accessories)
80036	1439	Looper Column Thread Guide Pin for 95969
82462	1443	Face Plate Thread Nipper Bracket Screw Washer
86405	1355	Tweezers (Accessories)
91822	1439	Looper Column Hinged Needle Plate Hinge Pin for 95970
91824	1439	Looper Frame Pin
91840	1439	Needle Plate Latch with 286d
91868	1439	Seam Guide Hinge Screw Spring Washer
91879	1441	Thread Take-down
91881	1441	Thread Take-down Stop Pin
*95851		Arm
95852	1437	Arm Shaft (horizontal)
95853	1438	Arm Shaft (horizontal) Bush (front)
95854	1438	Arm Shaft (horizontal) Gear with two 1259c
95854	1438	Arm Shaft (upright) Gear with two 1259c
95855	1437	Arm Shaft (upright)
95857	1439	Arm Spool Pin Bushing
95858		Arm Oil Tube
95859		Balance Wheel (2" diam.) with 146 and 1285c
95862	1439	Face Plate Screw Stud
95863	1441	Face Plate Thread Nipper Bracket with 1823
95865	1438	Feed Cam with 1375c
95866	1443	Feed Lever with 1819
95867	1443	Feed Regulator with 95870
95869	1441	Feed Regulator Slide Block
95870	1439	Feed Regulator Stud for 95867
95871	1439	Looper Spindle for 95968
95872	1439	Looper Spindle Collar with SS47c for 95970
95873	1439	Looper Spindle Bush for 95970
95877	1439	Looper Column Hinged Needle Plate for 95970
95884	1443	Needle Bar Connecting Link with 794c
95885	1443	Needle Bar Connecting Stud with 175c
95886	1441	Needle Bar Thread Nipper
95893	1439	Presser Bar Spring Guide Wire
95895	1439	Presser Bar Lifting Lever Hinge Pin for 95948
95896		Presser Bar Lifting Lever Slide Block
95913	1440	Seam Guide

From the library of Diamond Needle Corp

No.	Plate	
95914	---	Tension, complete, Nos. 413c, 1560d, 8238 and two 2102
95915	1439	Tension Thread Guide
95917	1441	Thread Take-down Spring
*95919		Looper Thread Spool Holder Plate for 95937
95920	1441	Looper Thread Spool Holder Plate Hinge Pin for 95964
95930	1438	Arm Shaft (horizontal) Bush (rear)
95931	1438	Arm Shaft (upright) Cam with 177c
95932	1438	Arm Shaft (upright) Cam Fork
95933	1437	Balance Wheel (2½" diam.) with 446c and 1285c
95934	---	Balance Wheel (3½" diam.) with 446c and 1285c
95935	1437	Looper Pitman
*95936	---	Looper Thread Spool Pin for 95937
95937	1437	Looper Thread Spool Holder, complete, Nos. 95919 and 95936 for 95964 and 95972
95938	1439	Presser Bar Pendulum Bracket Hinge Stud
95945	1443	Balance Wheel Handle (Wood)
95947	1437	Face Plate
95948	---	Feed Lifting Mechanism, complete, Nos. 4401, 1521e, 1700c, 1830, 95895, 95959 and 95960
95950	1439	Looper Frame for 95970
95951	1442	Looper Spindle Pinion with two 233c for 95970
95952	1442	Looper Spindle Pinion Segment Gear
95953	1442	Looper Spindle Pinion Segment Gear Stud
95957	1442	Presser Bar Bushing
95958	1443	Presser Bar Guide Bracket with SS202c
95959	1442	Presser Bar Lifting Cam Lever with 175c for 95948
95960	1442	Presser Bar Lifting Lever for 95948
95963	1443	Looper Thread Spool Holder Frame, for machine without Base, for 95964
95964	---	Looper Thread Spool Holder and Frame, complete, Nos. 95920, 95937, 95963 and two Wood Screws ½" No. 7
<i>NOTE. No. 95964 is supplied when machine is ordered less Base No. 95972, and is charged extra.</i>		
95965	1442	Needle Bar Thread Nipper Spring
*95966	---	Bed
95967	1440	Looper for 95968
95968	---	Looper 95967 with 95871 for 95970
95969	1440	Looper Column with 80036 for 95970

No.	Plate	
95970		Looper Column, complete, Nos. 4148c, 91822, 95872, 95873, 95877, 95950, 95951, 95968 and 95969
95971		Machine Base for 95972
95972		Machine Base, complete, Nos. SS535d, 95937, 95971, two each 453c, 2809 and 8294
95973	1442	Needle Bar for 95977
95974	1440	Needle Clamp with 552r for 95977
95975	1440	Needle Clamp Gib for 95977
95976	1440	Needle Clamp Thread Guide for 95977
95977		Needle Bar and Clamp, complete, Nos. 337d and 95973 to 95976
95978	1442	Presser Bar
95979	1140	Presser Bar Lifter
95980	1440	Presser Bar Pendulum Bracket
95981	1440	Presser Bar Pendulum Bracket Feed Lever Stud
95982	1442	Presser Bar Pendulum Bracket Feed Lever Stud Yoke
95983	1440	Presser Bar Spring
95985	1440	Presser Foot (serrated teeth)
95987	1440	Presser Bar Pendulum Bracket Feed Lever Stud Yoke Nut Washer
95988	---	Presser Foot (angle cut teeth) for 95991
95989	---	Presser Foot Side for 95991
95990	1878	Presser Foot Adjusting Screw Friction Spring for 95991
95991	1878	Presser Foot (Adjustable), complete, Nos. NN94c, SS501f, 1159f and 95988 to 95990
95992	1442	Thread Guide